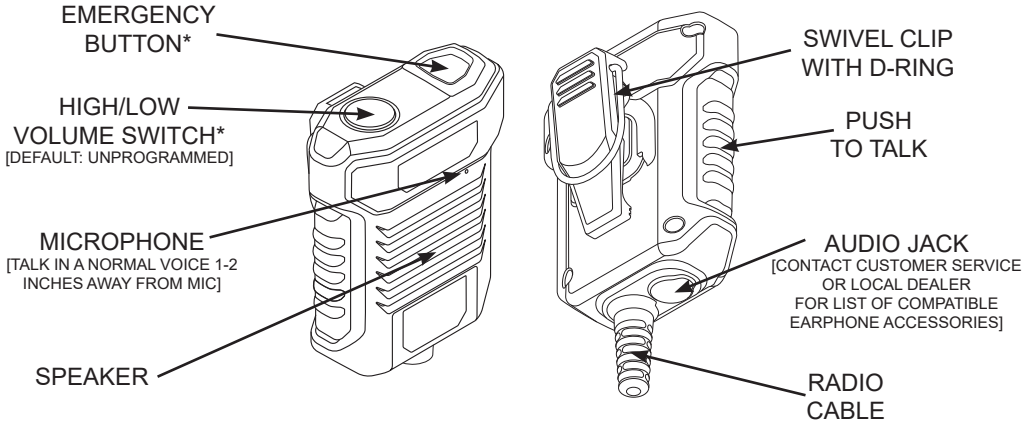




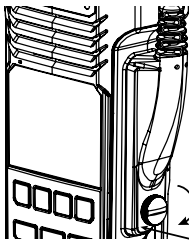
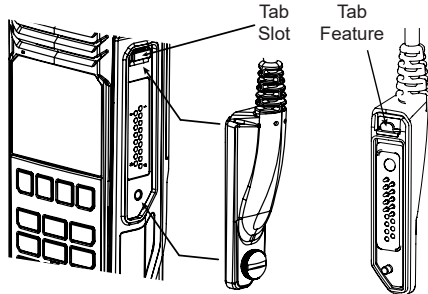
BKR0203 Radio Speaker Microphone User Instructions



*Button functions can be customized in the Radio Editing Software (RES).
See page 2 for details.

CONNECTING THE RSM TO THE RADIO:

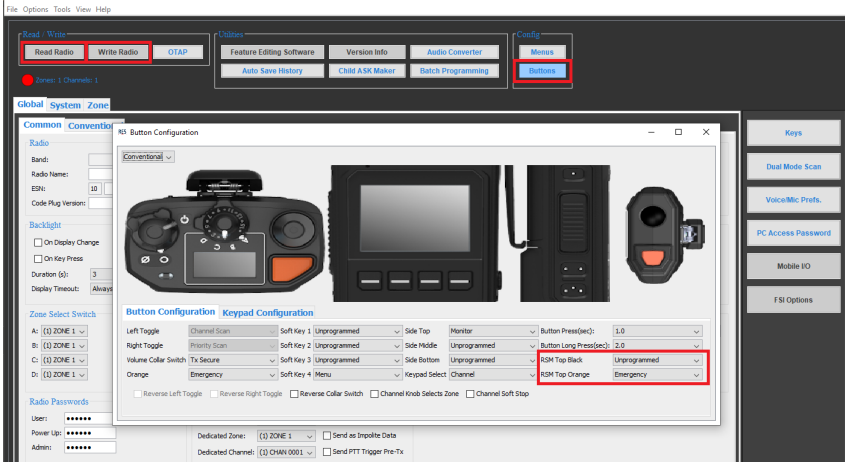
1. Insert the 'tab' feature of the connector with the 'tab' slot on the radio. Connector should make tight, precise fit with the radio.



2. While applying pressure to the bottom of the connector, the locking screw should align and easily tighten against the radio. For easier tightening, a coin or flat head screwdriver may be used.

CUSTOMIZING BUTTON FUNCTIONS:

1. With the radio connected to the PC, open BKR0733 Radio Editing Software (RES).
2. Select 'Read Radio' from the 'Read / Write' menu.
3. Select 'Buttons' from the 'Config' menu.
4. Locate the 'RSM Top Black' and 'RSM Top Orange' button selections.
5. Using the drop-down menus, select the intended function for each button.
6. After the selections are final, select 'Write Radio' from the 'Read / Write' menu.



BK Technologies
7100 Technology Drive
West Melbourne, FL 32904
1-800-648-0947
www.bktechnologies.com

©2020 BK Technologies